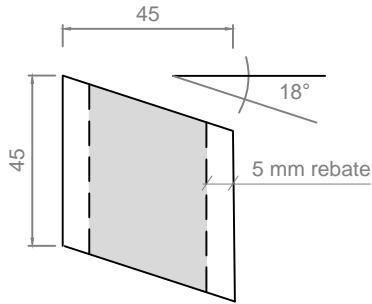
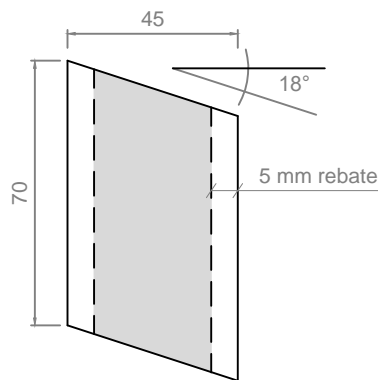


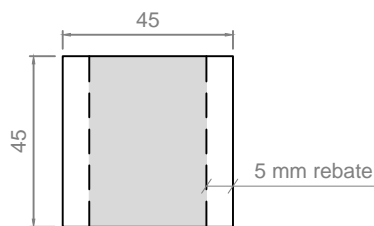
JSC-U-20x45



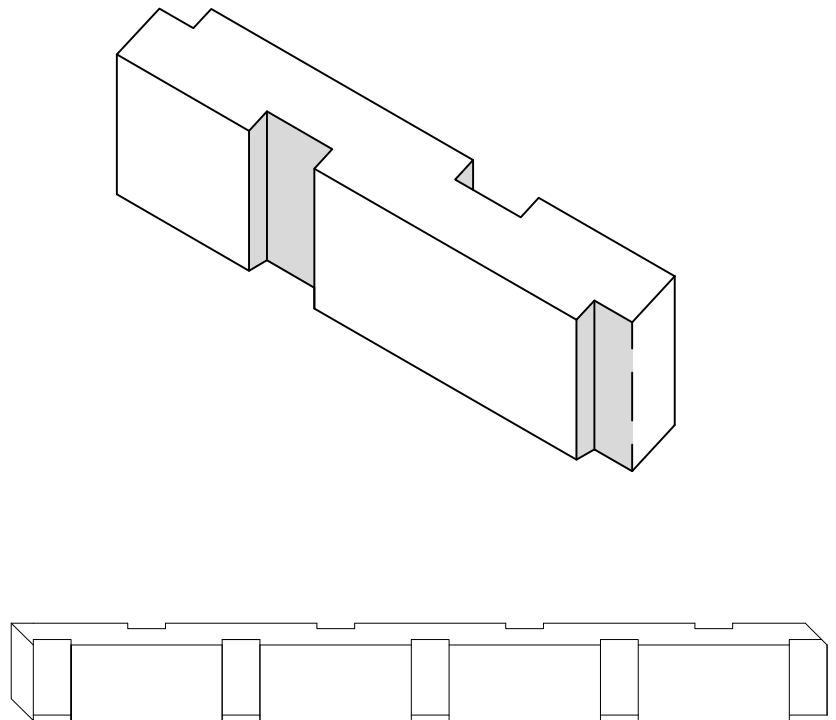
JSC-H-45x45



JSC-H-45x70



JSC-V-45x45



### H3.2 Treated Timber Castellated Batten

## Cavity Battens

22 Sawmill Road, Riverhead, Auckland

Note: Details may be subject to change without notification

# JSC Timber

T.09 412-7722  
tech@jsctimber.co.nz  
www.jsctimber.co.nz

Scale: 1:2

Date: 8/12/2016

Dwg:

## JR-CB-16