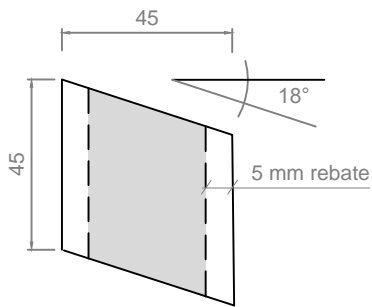
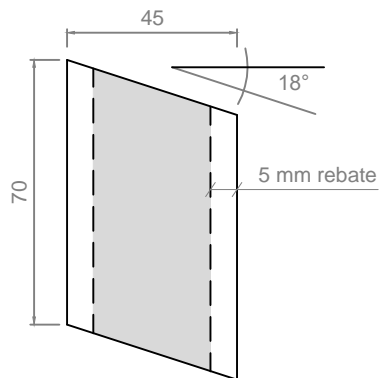


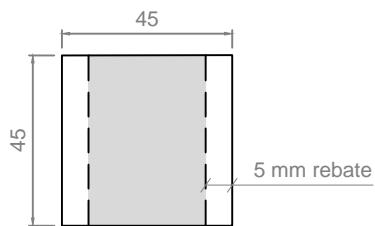
JSC-U-20x45



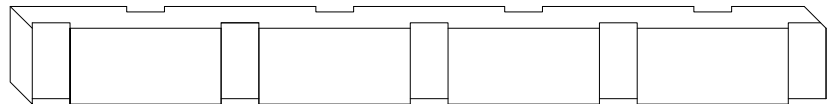
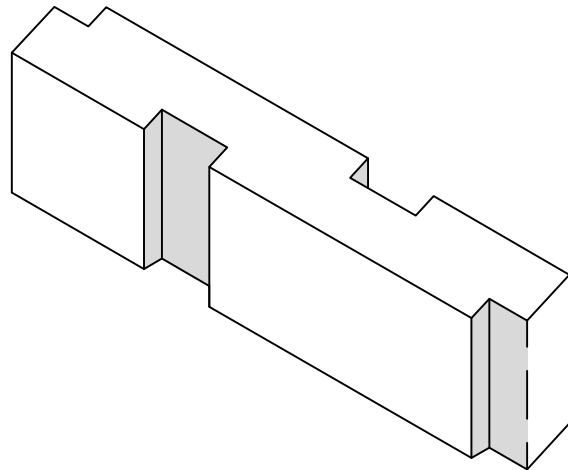
JSC-H-45x45



JSC-H-45x70



JSC-V-45x45



### H3.2 Treated Timber Castellated Cavity Batten

## Cavity Battens

Vertical Shiplap Architectural Profile

22 Sawmill Road, Riverhead, Auckland  
 Note: Details may be subject to change without notification

# JSC Timber

T.09 412-7722  
 tech@jsctimber.co.nz  
 www.jsctimber.co.nz

Scale: 1:2

Date: 8/12/2016

Dwg:  
 JV-CB-16